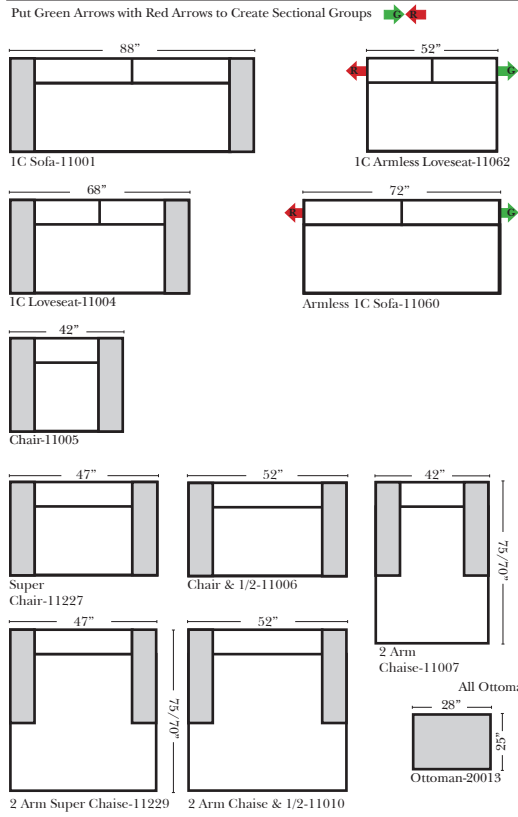
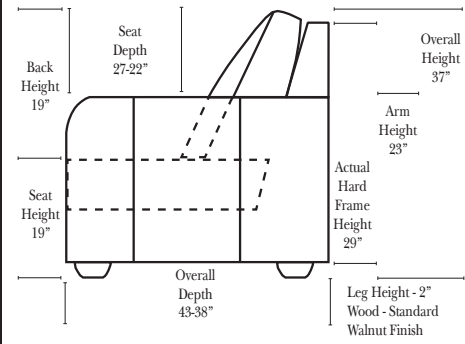
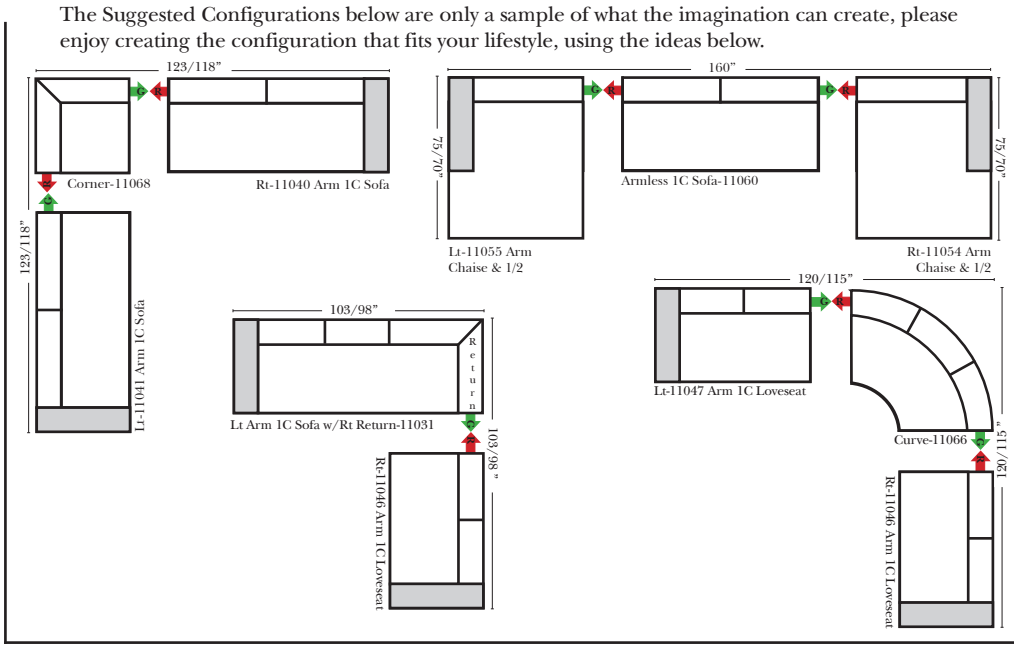


Max 1 (Deluxe or Studio)

Standard / Ottomans / Armless



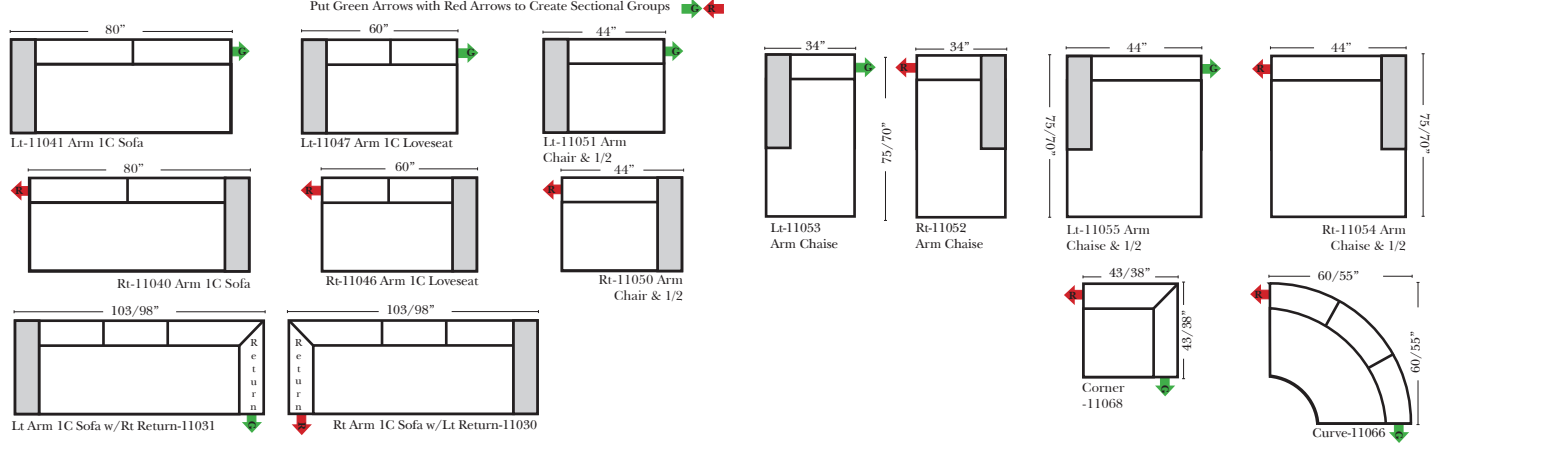
Suggested Configurations



- ### Standard & options
- Standard:**
- Available in Full & Top Grain Leathers
 - Available in Luxury Fabrics
 - All Hardwood Frames
 - Wood Leg Finish (Standard is Walnut)
- Options: (No Additional Charge)**
- No. 33 Firm Foam Cushions
 - Wood Leg Finish (Available in Cherry, Chocolate, Espresso, Honey Oak, & Shadow)
- Options: (additional Charge)**
- Down Seats & Down Backs
 - Upholstered Swivel Base (2 arm Chair Only) (Not available on Super Chair or Chair & 1/2)
- Sleeper Options: (N/A on this Style)**

L-Shape / 90 Degree Sectional

(All 4 seat items ship as one piece if stationary, two pieces if motion installed)



Note:
 All Dimensions are approximate, if accuracy is crucial, please contact us for validation of the dimensions shown. However, a 1" to 2" variance can still apply due to foam and upholstery.